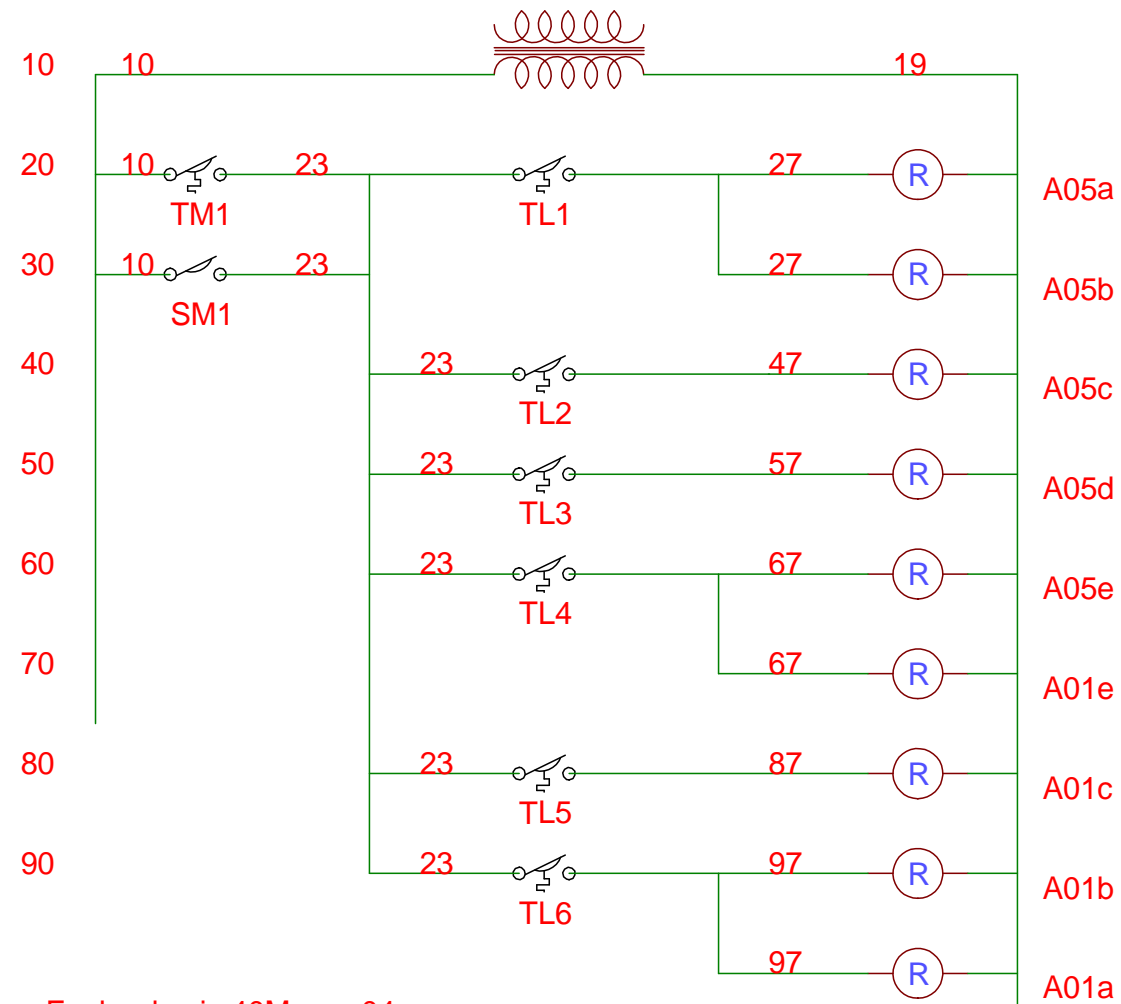


Lower Floor



Each relay is 40Ma or .04amp
 $.04\text{Amp} \times 20 \text{ Relays} \times 24\text{Volt} = 19.2 \text{ Watts}$

Master Thermostat (TM) to override room thermostat's to an unoccupied setting
 Master Switch (SM) selects low or high temperature
 Each heater will have a low voltage relay
 Sacristy will be seperated from set back setting

Ken@Young.bc.ca

2013 08 12

Upper Floor

