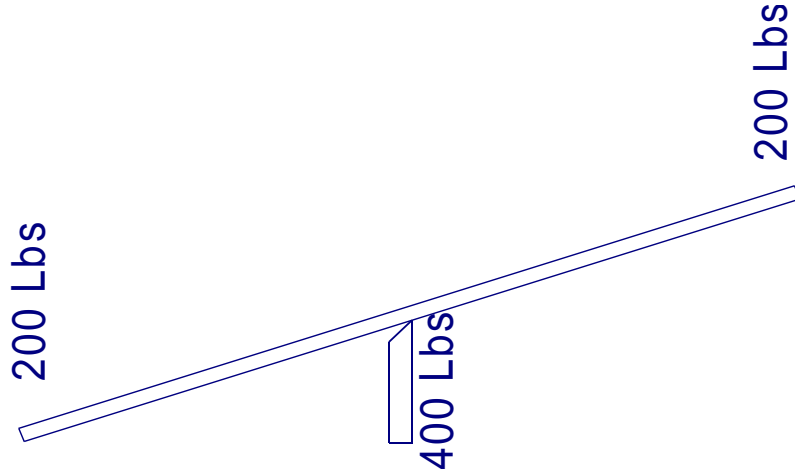


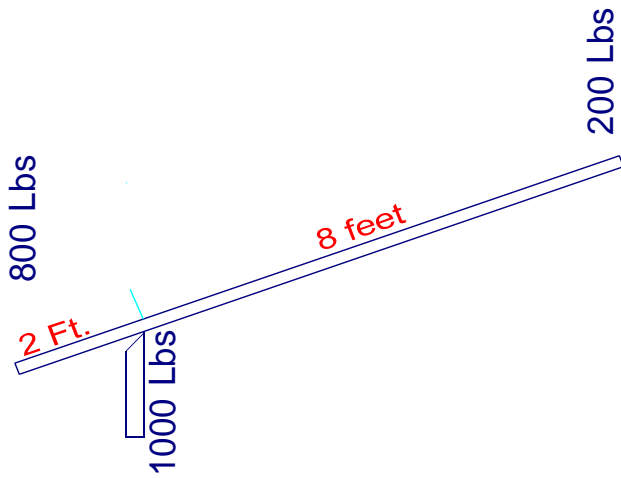
## ELECTRICAL SERVICE MAST

Over the years I have repaired bent or broken Service Masts. The following was shown to a Mechanical Engineer to comment on. He concurred that stresses shown are accurate.

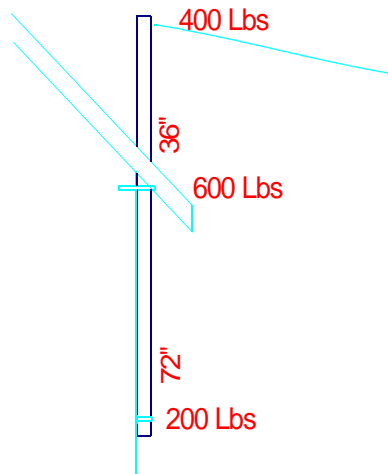
A mast is the same as a SeeSaw or Lever.



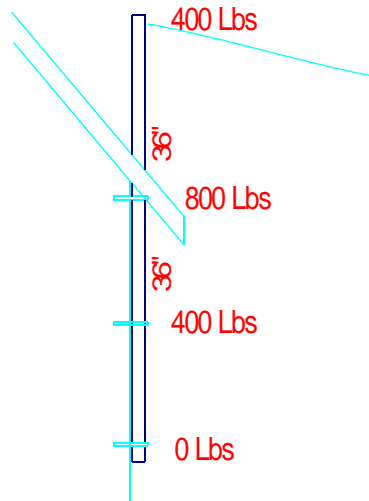
The fulcrum will always carry the total load



A Mast on the side of a building is the same.



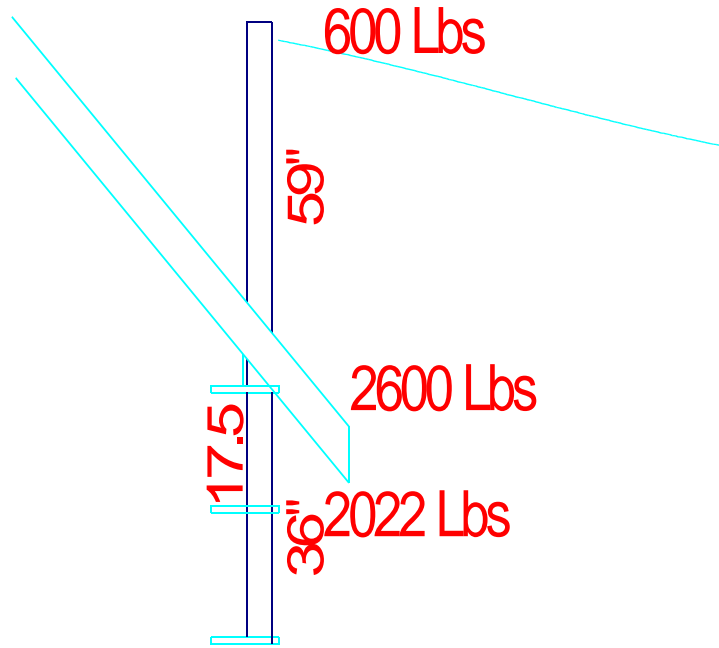
Code requires that three “U” bolts securely fastened are required. With this arrangement, the centre bolt becomes the lower of the lever.



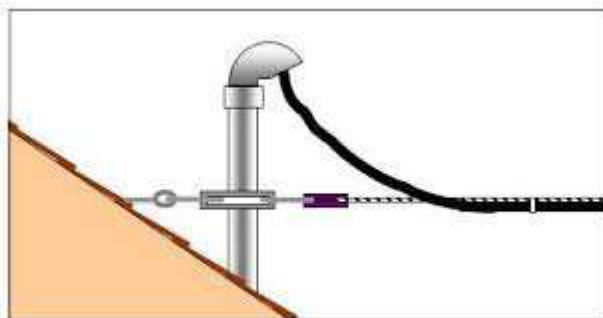
The lower of the lever will push against the building, so a header between the studs inside the wall is required.

For the top U bolt I only use the top double plate.

With the minimum/Maximum code requirements used the following would occur.



Tree branches that fall in a wind storm are the most usual cause of mast failure. If any trees are within 5 meters from hydro wires, a guy wire on the mast is necessary.



KY.